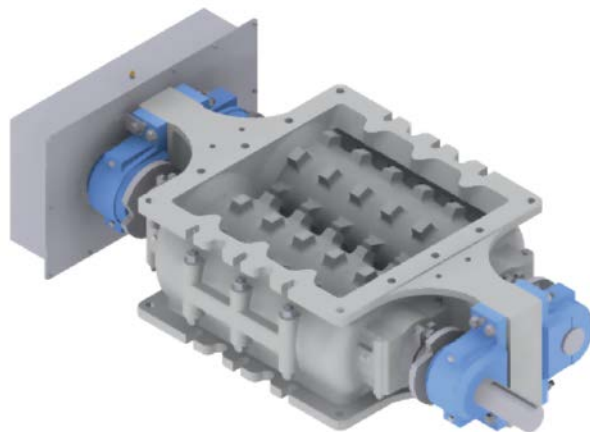


# Allen-Sherman-Hoff® Double-Roll Clinker Grinder for Bottom Ash Systems

The Allen-Sherman-Hoff® (A-S-H®) double-roll clinker grinder, supplied by Babcock & Wilcox (B&W), is designed specifically to handle the challenging bottom ashes generated by coal-fired boilers. Its high crushing force, intermeshing tooth pattern on the synchronized rolls, and the extreme hardness of the roll material combine to make short work of hard slag clinkers.

## Features

- Pillow block-mounted bearings allow for much easier access to the shaft packing area compared to flange-mounted bearing arrangements
- Grinders with fabricated housings (2 ft-10 in. [864 mm] size) can be provided with AR-400 steel components for long-lasting abrasion resistance in high-wear areas
- Manganese steel, Ni-hard or Hi-chrome materials available for rolls, depending on the severity of abrasion
- OEM service center rebuild programs available for cost-effective grinder maintenance and upgrades
- Grinder can be assembled with driving shaft on either side to provide flexibility with location of the drive unit
- Resilient hollow-core shaft seal packing arrangement is standard; other shaft seal arrangements available upon request



*The double roll grinder with cast iron housing is a proven design used on a variety of bottom ash handling systems.*



*The Allen-Sherman-Hoff double-roll clinker grinder features pillow block-mounted bearings for easier access.*

## Benefits

### Increased capacity reduces operation time

The A-S-H double-roll clinker grinder has a larger crushing capacity than other designs, which reduces the actual bottom ash removal time. This results in less operator involvement, less operating horsepower, and more cost savings.

### Higher crushing force

The drive components and shaft of the A-S-H double-roll clinker grinder produce a higher crushing force with design capabilities up to 8000 lb (3630 kg). Several output particle size options are available based on system capacity requirements and ash conveying methods after discharge from the grinder.

### Less maintenance

The A-S-H double-roll clinker grinder crushes big, tough chunks of ash due to its high torque design. The two rolls pull large material into the grinder minimizing jams. The robust design provides reliable performance without constant maintenance and less need for operator attention.

### Availability

A-S-H double-roll clinker grinders are available in multiple configurations to meet your specific needs. With more than 90 years of ash-handling experience, let us show you how these double roll grinders can easily handle even the toughest ash. Contact your local B&W representative or call us at 1-800-ASH-PARTS (1-888-274-7278).

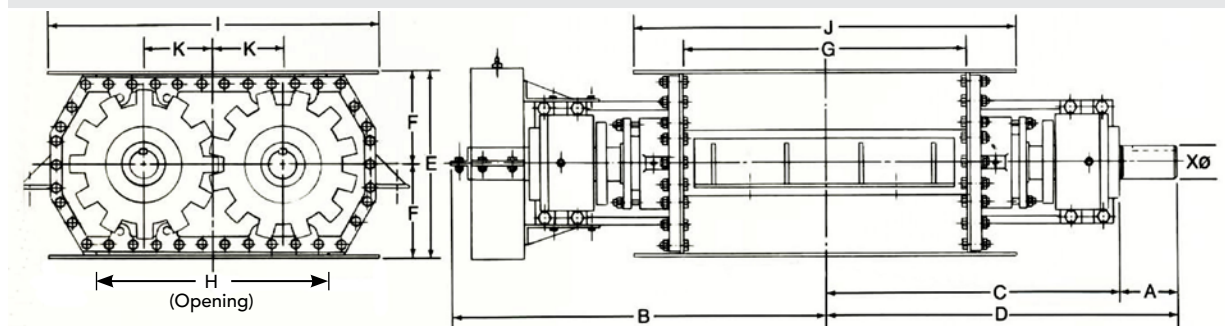
(Continued on reverse side)

## Double-Roll Clinker Grinder Specifications

Size	A	B	C	D	E	F
2 ft - 0 in. long rolls C.I. housing	6 7/8 in. 175 mm	2 ft - 8 3/16 in. 818 mm	2 ft - 1 5/8 in. 651 mm	2 ft - 8 1/2 in. 826 mm	1 ft - 1 1/2 in. 343 mm	6 3/4 in. 171 mm
2 ft - 10 in. long rolls steel housing	6 7/8 in. 175 mm	3 ft - 7 3/4 in. 1111 mm	2 ft - 11 1/8 in. 892 mm	3 ft - 6 in. 1067 mm	1 ft - 10 1/2 in. 572 mm	11 1/4 in. 286 mm
3 ft - 0 in. long rolls steel housing	6 7/8 in. 156 mm	3 ft - 3 3/8 in. 1000 mm	2 ft - 9 13/16 in. 859 mm	3 ft - 3 15/16 in. 1014 mm	1 ft - 10 1/2 in. 572 mm	11 1/4 in. 286 mm

Size	G	H	I	J	K	XØ	WT
2 ft - 0 in. long rolls C.I. housing	2 ft - 0 in. 610 mm	2 ft - 0 in. 610 mm	2 - 4 1/4 in. 718 mm	2 - 4 1/4 in. 718 mm	6 in. 152 mm	2 15/16 in. 75 mm	2400 lb 1088 kg
2 ft - 10 in. long rolls steel housing	2 ft - 10 in. 864 mm	2 ft - 6 in. 762 mm	3 ft - 4 in. 1016 mm	3 ft - 10 in. 1168 mm	9 in. 228 mm	3 15/16 in. 100 mm	5225 lb 2370 kg
3 ft - 0 in. long rolls steel housing	3 ft - 0 in. 914 mm	2 ft - 6 in. 762 mm	3 ft - 4 in. 1016 mm	3 ft - 10 in. 1168 mm	6 in. 152 mm	3 3/16 in. 81 mm	2900 lb 1315 kg

Grinder Size	Capacity (TPH)	Available Particle Sizes	Roll Materials	Housing Materials
2 ft - 0 in. (610 mm)	25-75	Fine (3/4 in. x 3/4 in. x 3/4 in.) (19 mm x 19 mm x 19 mm) Medium (1 in. x 1 in. x 1 in.) (25 mm x 25 mm x 25 mm) Coarse (3 in. x 2 in. x 2 in.) (76 mm x 51 mm x 51 mm)	Manganese Steel (All sizes) Ni-Hard and Hi-Chrome (Fine or Coarse)	Cast Iron
2 ft - 10 in. (864 mm)	75-125	Fine (3/4 in. x 3/4 in. x 3/4 in.) (19 mm x 19 mm x 19 mm) Coarse (2 in. x 2 1/2 in. x 2 3/4 in.) (51 mm x 64 mm x 70 mm)	Manganese Steel (All sizes) Ni-Hard and Hi-Chrome (All sizes)	Carbon Steel Stainless Steel AR-400/carbon steel combination for high-wear applications
3 ft - 0 in. (914 mm)	40-100	Fine (3/4 in. x 3/4 in. x 3/4 in.) (19 mm x 19 mm x 19 mm) Coarse (3 in. x 2 in. x 2 in.) (76 mm x 51 mm x 51 mm)	Manganese Steel Ni-Hard (Coarse)	Carbon Steel Stainless Steel



### Babcock & Wilcox

20 South Van Buren Avenue  
Barberton, Ohio, U.S.A. 44203  
Phone: +1 888.ASH.PARTS  
Fax: +1 484.875.1600

[www.babcock.com](http://www.babcock.com)     

The information contained herein is provided for general information purposes only and is not intended nor to be construed as a warranty, an offer, or any representation of contractual or other legal responsibility.

Allen-Sherman-Hoff and A-S-H are trademarks of Diamond Power International, Inc., a subsidiary of The Babcock & Wilcox Company.

Babcock & Wilcox supplies Diamond Power boiler cleaning and Allen-Sherman-Hoff ash handling equipment and systems.

© 2016 The Babcock & Wilcox Company. All rights reserved.



ENERGY | ENVIRONMENTAL

Established in 1867, Babcock & Wilcox is a global leader in advanced energy and environmental technologies and services for the power and industrial markets, with operations, subsidiaries and joint ventures worldwide.

For more information, or a complete listing of our sales and service offices, send an e-mail to [info@babcock.com](mailto:info@babcock.com), or access our website at [www.babcock.com](http://www.babcock.com).

PS-490 250PS6K