

# ITT Grinnell Constant Support Hangers

## Purpose

Advise owners and operators of a possible problem with ITT Grinnell constant support spring hangers.

## Problem

Corrosion has been observed at the lever link and lever link connections on constant support hangers purchased from ITT Grinnell after 1964. The hangers involved are Figure Number 80V, Catalog Numbers PH-69 through PH-83 sizes 64 through 83 and Figure Number 80V, Catalog Number PH-65 sizes 42 through 54.

## Recommendations

Inspection and maintenance procedures should be reviewed to include the following:

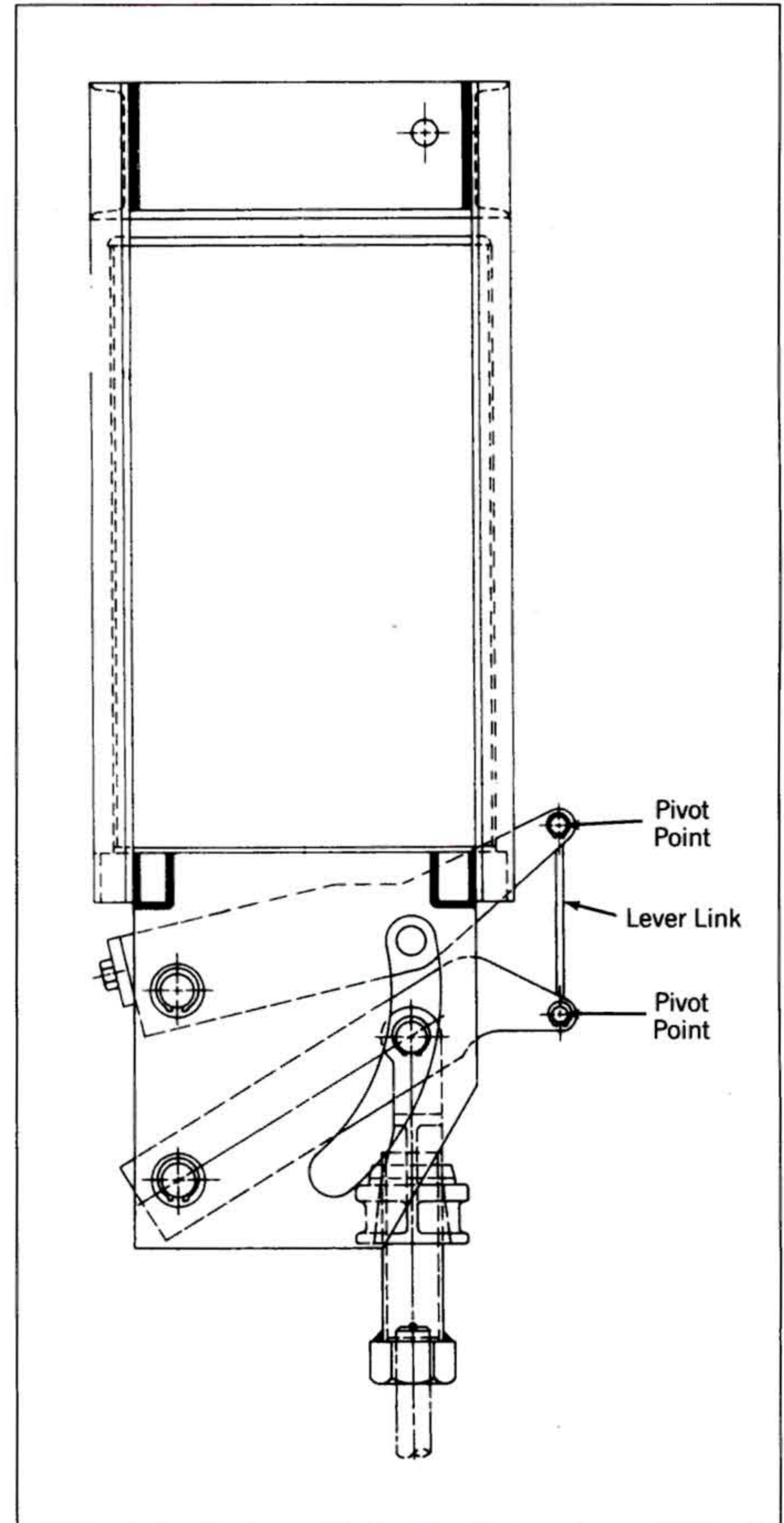
### Inspection

1. Visually inspect the lever link at the top and bottom pivot points for signs of corrosion or flyash deposits.
2. Visually inspect the entire lever link for signs of cracking around or near welds, and for any bending resulting from binding.
3. Repair any lever links showing signs of binding or bending in the lever link.

### Maintenance

1. Remove as much corrosion and/or flyash deposits as possible from around the lever link pivot point.
2. Lubricate pivot pins inside the lever link hubs with penetrating oil as best as possible.
3. Pack area around lever link pivot points with Molykote, or any other white grease, to prevent any corrosion or flyash deposits from accumulating directly on the pins or entering the hubs at these points.
4. Reinspect the lever links annually, remove any corrosion or flyash deposits and repack with grease.

*(continued on reverse side)*



## Warning

**The lever link is a load carrying component, and should not be removed from the hanger assembly without first relieving the load.**

## Support

If any problems are encountered or any signs of binding or bending are found, contact Babcock & Wilcox Field Service Engineering for further information or assistance.

**For more information, contact your nearest B&W sales and service office. In the U.S.A., write: Dept. CIC, Power Generation Group, Babcock & Wilcox, P. O. Box 351, Barberton, Ohio 44203-0351. In Canada, write: Manager, Marketing and Sales, B&W Canada, Cambridge, Ontario, N1R 5V3.**

Akron (Copley), Ohio  
Atlanta, Georgia  
Boston (Dedham), Massachusetts  
Charlotte, North Carolina  
Cherry Hill, New Jersey  
Chicago (Lisle), Illinois  
Cincinnati, Ohio  
Dallas, Texas

Denver (Lakewood), Colorado  
Houston, Texas  
Kansas City, Missouri  
Los Angeles (Los Alamitos), California  
Minneapolis (St. Paul), Minnesota  
Portland, Oregon  
St. Petersburg, Florida  
San Francisco (Vacaville), California

Calgary, Alberta, Canada  
Cambridge, Ontario, Canada  
Halifax (Dartmouth), Nova Scotia, Canada  
Montreal, Quebec, Canada  
Saint John, New Brunswick, Canada  
Vancouver (Richmond), British Columbia,  
Canada

**For international sales offices and representatives write: Manager, Marketing and Sales, Babcock & Wilcox International Division, Cambridge, Ontario, Canada N1R 5V3, or Barberton, Ohio U.S.A. 44203.**

*The information contained herein is provided for general information purposes only, and is not intended or to be construed as a warranty, an offer, or any representation of contractual or other legal responsibility.*